

TARTER®

FARM AND RANCH EQUIPMENT

PALLET FORK

OPERATION AND ASSEMBLY MANUAL



PFQA

PFQA12

For more information and questions, please contact:

Tarter Customer Service

1-800-RED-GATE (1-800-733-4283)

Monday-Friday 8:00-4:30 EST

INTRODUCTION

THANK YOU.

Tarter Farm and Ranch Equipment has been improving life on your land since 1945. Thank you for choosing Tarter. You have purchased a dependable Tarter implement. You can expect many years of service when you maintain and use our implement according to this Manual and additional information that may be provided at Tarterusa.com.

READ THIS MANUAL BEFORE ASSEMBLING OR OPERATING YOUR TARTER ATTACHMENT.

REQUIRE ALL OPERATORS TO READ THIS MANUAL.

OBSERVE ALL SAFETY INFORMATION IN THIS MANUAL AND SAFETY DECALS ON THE TARTER ATTACHMENT.

If replacement parts are needed, use only genuine Tarter parts, as substitute parts will VOID THE WARRANTY and may not meet standards required to insure dependable use and safe operation.

CUSTOMER INFORMATION

Name _____

Purchased From _____

Date Purchased _____

Model _____

Serial # _____

PREPARATION CHECKLIST

Verify the following before operating your Pallet Fork

- | | |
|---|--|
| <input type="checkbox"/> 1. Inspect for damage or cracks before lifting. | <input type="checkbox"/> 4. Adjust forks to proper width to be centered under any load |
| <input type="checkbox"/> 2. Ensure forks slide/adjust freely. | <input type="checkbox"/> 5. Never exceed posted load rating. |
| <input type="checkbox"/> 3. Hook to skid steer or tractor and ensure fitment is correct and locking pins fully engage bottom holes. | |

For more information and questions, please contact:

Tarter Customer Service

1-800-RED-GATE (1-800-733-4283)

GENERAL DESCRIPTION

If you are looking for a great all-around tool for your homestead, look no further than Tarter's Pallet Fork. Simply attach this implement to the front of your machine and start working. Great for moving pallets of feed, unloading equipment from taller trailers, and other heavy lifting tasks - this implement will get the job done. Heavy-duty steel is laser cut while robotic-assisted welders assemble the unit; providing unparalleled precision and accuracy. The forks are heavy-duty and heat-treated for superior strength and durability. This do-it-all implement is the perfect companion to your loader-equipped tractor. Observe all safety precautions on the machine and as noted throughout this manual. If any assistance or additional information is needed, contact us at 1-800-RED-GATE.



NOTICE

All information, illustrations, and specifications in this manual are based on the latest information available at the time of publication. Because we are always striving to improve our products, the images could differ slightly from actual equipment. Specifications are subject to change without notice. We also reserve the right to make changes at any time without notice.

TABLE OF CONTENTS

Description	3
Safety	5
Safety Description and Decals	6
Operating	11
Attaching	13
Adjusting	14
Load Handling	15
Detaching	16
Lubrication/Maintenance	17
Product Specifications	18
Parts	20
Torque Specifications	22
Trouble Shooting	23
Warranty	24
Notes	26

**THE BEST SAFETY DEVICE IS AN INFORMED, CAREFUL OPERATOR.
WE ASK YOU TO BE THAT KIND OF OPERATOR.**

YOUR SAFETY is our concern. We design and manufacture our implements with this in mind. Our design can't eliminate an operator's careless actions. Hazard control and accident prevention are dependent upon the awareness, concern, judgment, and proper training of personnel involved in the operation, transport, maintenance and storage of equipment.

CALIFORNIA PROPOSITION 65

WARNING: Cancer and reproductive harm - www.P65Warnings.ca.gov

Throughout this manual, the term **IMPORTANT** is used to indicate that failure to observe procedures can cause damage to equipment. The terms **CAUTION**, **WARNING** and **DANGER** are used in conjunction with the Safety-Alert Symbol, (a triangle with an exclamation mark), to indicate the degree of hazard for items of personal safety.



This Safety-Alert Symbol indicates a hazard and means ATTENTION!
BECOME ALERT! YOUR SAFETY IS INVOLVED!

DANGER

Indicates an imminently hazardous situation that, if not avoided, will result in death or serious injury.



WARNING

Indicates a potentially hazardous situation that, if not avoided, could result in death or serious injury, and includes hazards that are exposed when guards are removed.



CAUTION

Indicates a potentially hazardous situation that, if not avoided, may result in minor or moderate injury.

IMPORTANT

Indicates that failure to observe can cause damage to equipment.

NOTE

Indicates helpful information.

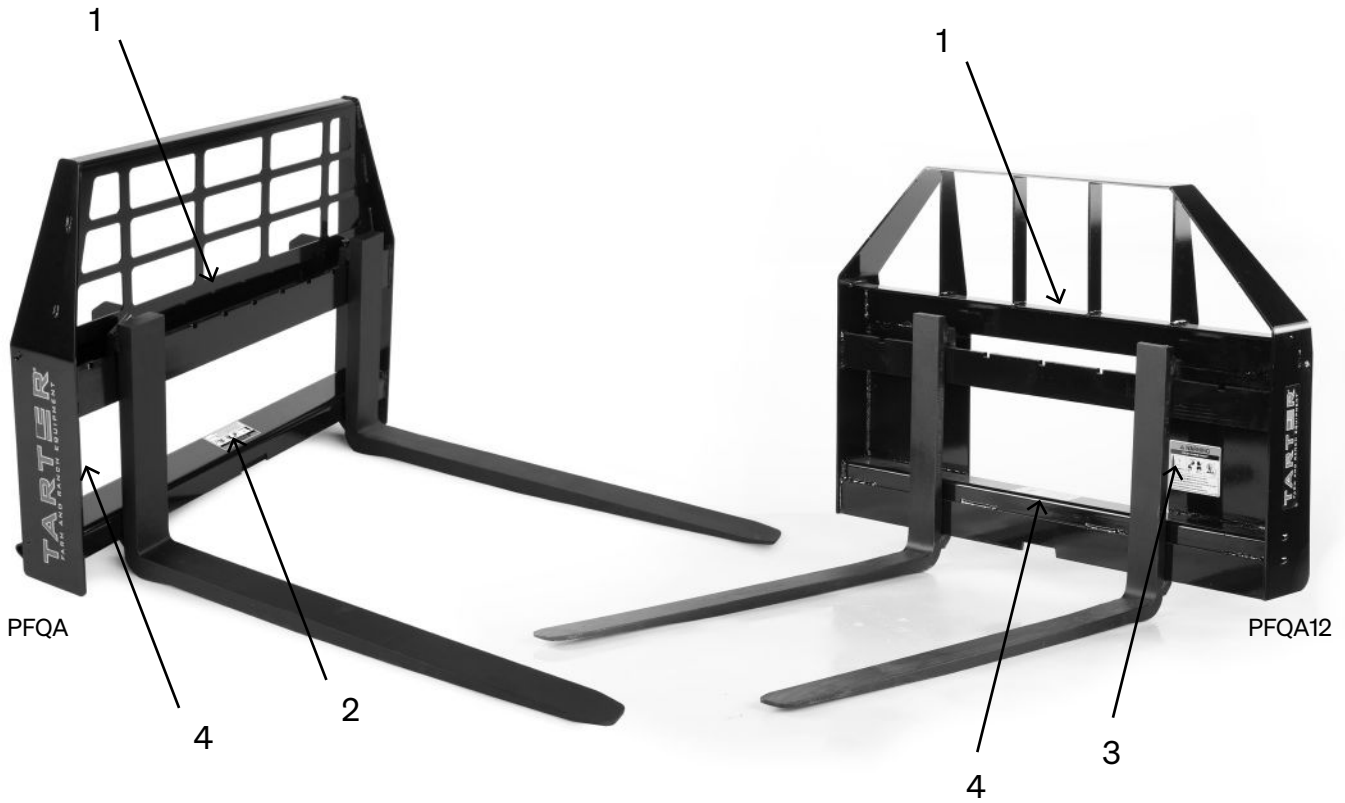
SAFETY AND INSTRUCTION DECALS



SAFETY AND INSTRUCTIONAL DECALS
ATTENTION! BECOME ALERT! YOUR SAFETY IS INVOLVED!



Replace Immediately if Damaged!





SAFETY AND INSTRUCTIONAL DECALS

ATTENTION! BECOME ALERT! YOUR SAFETY IS INVOLVED!



Replace Immediately if Damaged!

1



WARNING

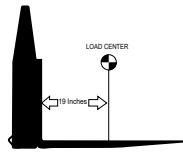
TO PREVENT SERIOUS INJURY OR DEATH

Please read and understand operation and assembly manual before using this product. To obtain manual please visit tarterusa.com or call 1-800-RED-GATE.

2

WARNING

3000 LBS MAXIMUM CAPACITY



KEEP OTHERS CLEAR.



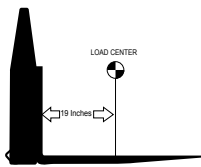
- DO NOT EXCEED 3000 LBS. LIFTING CAPACITY AT 19" LOAD CENTER
- DO NOT EXCEED THE RECOMMENDED LIFTING CAPACITY OF MACHINE
- DO NOT USE FORK TINES FOR PRYING OR ANY OTHER PURPOSE OTHER THAN LIFTING
- ALWAYS KEEP LOAD LEVEL AND AT A SAFE LIFTING HEIGHT
- DO NOT ALLOW PEDESTRIANS ON OR AROUND FORKS WHEN IN USE

4000070

3

WARNING

1200 LBS MAXIMUM CAPACITY



KEEP OTHERS CLEAR.



- DO NOT EXCEED 1200 LBS. LIFTING CAPACITY AT 19" LOAD CENTER
- DO NOT EXCEED THE RECOMMENDED LIFTING CAPACITY OF MACHINE
- DO NOT USE FORK TINES FOR PRYING OR ANY OTHER PURPOSE OTHER THAN LIFTING
- ALWAYS KEEP LOAD LEVEL AND AT A SAFE LIFTING HEIGHT
- DO NOT ALLOW PEDESTRIANS ON OR AROUND FORKS WHEN IN USE

4000363

4

TARTER



7 00000 00000 0
000000 A20 ABC

1-800-RED-GATE

TARTERUSA.COM

SAFETY GUIDELINES

At Tarter, we care about your safety. Most accidents can be avoided by a few seconds of thought and a careful approach to handling equipment. You, the operator, can avoid many accidents by observing the following precautions and insist those working with you follow them too.

If you need assistance or a replacement manual and safety decals, go to Tarterusa.com or call 1-800-RED-GATE.

PLEASE READ YOUR TRACTOR/AUV/UTV (POWER UNIT) MANUAL BEFORE ASSEMBLING OR OPERATING YOUR TARTER ATTACHMENT.

In order to provide a better view, certain photographs or illustrations in this manual may show an assembly with a safety shield removed. However, a Tarter attachment should never be operated in this condition. Keep all shields in place. If shield removal becomes necessary for repairs, replace the shield prior to use.

Replace any safety decal that is illegible or missing. Location of such safety decals are indicated in this manual.

Never use alcoholic beverages or drugs that can hinder alertness or coordination while operating the power unit or the Tarter attachment. Consult your doctor about operating this machine while taking prescription medications.

Under no circumstances should children under the age of 18 be allowed to operate the power unit or the Tarter attachment. Do not allow persons to operate or assemble the Tarter attachment until they have read this manual and have developed a thorough understanding of the safety precautions and how it works. Review the safety instructions with all users annually.

This Tarter attachment can be dangerous to children and persons unfamiliar with its operation. The operator should be a responsible, properly trained and physically able person familiar with farm machinery and trained in this Tarter attachment's operations.

Always use a power unit equipped with a Roll Over Protective System and seat belts (ROPS). Keep your seat belt securely fastened because falling off can result in your death from being run over or crushed.

Always keep a foldable ROPS system in the "locked up" position at all times.

Never exceed the limits of any piece of equipment, whether the power unit of the Tarter attachment. If its ability to perform a job safely is in question **DO NOT TRY IT.**

Do not modify the Tarter attachment in any way. Unauthorized modification could result in serious injury or death and may impair the function and life of the attachment.

In addition to the design of this attachment, including safety signs and safety equipment, hazard control and accident prevention are dependent upon the awareness, concern, prudence, and proper training of personnel involved in the operation, transport, maintenance, and storage of the Tarter attachment. Refer also to safety messages and operation instruction in each of the appropriate sections of the power unit and Tarter attachment manuals. Heed the safety signs affixed to both the power unit and Tarter attachment.



DANGER: Failure to follow instructions or safety rules can result in serious injury or death.

Follow all safety rules and safety decal information.

Your Tarter attachment is attached to a power unit. You must know the controls of your power unit and how to stop the engine and attachment quickly in an emergency. All operators must be capable to safely operate the power unit, its attachments, and all controls.



DANGER: DO NOT allow anyone to operate the power unit or the Tarter attachment without proper instruction.

PREPARATION

Always wear relatively tight and belted clothing to avoid getting caught in any moving part. Wear sturdy, rough-soled work shoes and protective equipment for eyes, hair, hands, ears, and head. Wear respirator or filter mask when appropriate.

Check that all hardware is properly installed.

Always tighten to torque chart specifications unless instructed otherwise in this manual.

Make sure the Tarter attachment is properly secured, adjusted and in good operating condition.

A minimum of 20% of tractor weight must be on the tractor's front wheels when Tarter attachments are in use. Without this weight, the tractor could tip over, causing personal injury or death. The weight may be attained with a loader, front wheel weights, ballast in tires or front tractor weights. Weigh the tractor and Tarter implement. **DO NOT ESTIMATE.**

STARTING AND STOPPING

Understand how to stop the Power Unit and Tarter attachment quickly in case of an emergency.

Before starting, check over all pins, bolts, and connections to be sure all are securely in place. Make sure power unit is in neutral

Start the power unit from the driver's seat.

Always lower Tarter attachment to the ground and relieve hydraulic pressure. Park on level ground, shut off the power unit, put the power unit or park or set the parking brake, and remove the key when leaving the equipment.

TRANSPORTATION

Never transport the power unit or the Tarter attachment while under the influence of alcohol or drugs.

Always comply with all federal, state and local laws regarding lighting, marking requirements and transportation of farm equipment on a public roadway.

Never allow riders on the power unit or Tarter attachment.

Maximum transport speed for an attached equipment is 20 mph. **DO NOT EXCEED.** Never travel at a speed which does not allow adequate control of steering and stopping.

Transport only in daylight or satisfactory artificial light.

Always transport loads low to the ground to maintain stability of the power unit.

Be aware of overhead utility lines.

Avoid contact with any overhead utility lines or electrically charged conductors.

Watch for hidden hazards on the terrain during transport.

Do not operate or transport on steep slopes.

Do not stop, start, or change directions suddenly on slopes.

Use extreme care and reduce ground speed on slopes and rough terrain. When encountering rough terrain during transport, reduce the power unit speed to minimize the horizontal movement of the Tarter attachment.

Ensure the towing vehicle and trailer are safely capable of transporting the Tarter attachment and that everything is properly secured.

OPERATION

Be sure the power unit is properly counterbalanced with weights before attempting to lift any load.

Never operate the power unit or the Tarter attachment while under the influence of alcohol or drugs.

Make sure the Tarter attachment is securely mounted to the loader. Failure to install lock pins or have the locking mechanism engaged, could result in injury or death.

Always know the weight of the load being lifted. Maximum lift capacity should never exceed rated lift capacity of the Tarter attachment. It should never exceed 80% of the power unit rated lift capacity for an attached front loader. Use the smaller of the two lift capacities to determine maximum lift capacity.

Lightweight power units may need weight added to the rear to maintain control and prevent forward or side tipping caused by a heavy front load. Consult your power unit Operator's Manual to determine proper weight requirements and maximum weight limitations.

Operate only in daylight or satisfactory artificial light.

Do not allow bystanders in the area when operating, attaching, removing, assembling, or servicing the power unit or Tarter attachment. Never allow anyone to

walk or work under a raised loader.

Do not lift or carry anyone on the attachment. Do not use the attachment as a work platform.

This Tarter attachment is intended for agricultural applications only. Do not operate within 300 feet of bystanders or public roads or highways.

Keep hands, feet, hair and clothing away from the power unit and Tarter attachment while the power unit engine is running. Stay clear of all moving parts.

Always sit in the power unit seat when operating controls or starting engine. Securely fasten seat belt, place transmission in neutral, engage brake and ensure all other controls are disengaged before starting the power unit engine.

Look down and to the rear and make sure area is clear before operating in reverse.

Watch for hidden hazards on the terrain during operation.

Do not operate on steep slopes.

Do not stop, start, or change directions suddenly on slopes.

When handling material on a slope, always approach the material with the power unit facing uphill.

Use extreme care and reduce ground speed on slopes and rough terrain. When encountering rough terrain, reduce the power unit speed to minimize the horizontal movement of the Tarter attachment.

Do not use this Tarter attachment to lift the front or back of the power unit off the ground. Doing so can damage the Tarter attachment, power unit and cause serious injury or death.

Stop the power unit and equipment immediately upon striking an obstruction. Turn off engine, remove key, inspect, and repair any damage before resuming operation.

MAINTENANCE

Make certain all movement of the power unit and Tarter attachment components has stopped before approaching for service.

Before detaching the power unit from the Tarter attachment or performing any service or maintenance, follow these steps: disengage power to the power unit, lower the front-end loader/attachment to the ground, set parking brake, stop engine, remove key, and unfasten seat belt.

Always secure attachment with solid supports. Do not use concrete blocks, logs, buckets, or any other material that could collapse or shift positions.

Before working underneath the power unit or a Tarter attachment, carefully read this manual's instructions, raise attachment, securely support all corners, and check stability. Secure blocking prevents a Tarter attachment from dropping due to hydraulic leak down, hydraulic system failures or mechanical component failures. Never depend on hydraulic system to keep attachment in raised position.

Never go underneath a Tarter attachment (lowered to the ground or raised) unless it is properly supported and secured. Never place any part of the body underneath the power unit or a Tarter attachment or between moveable parts even when the engine has been turned off. Hydraulic system leak down, hydraulic system failures, mechanical failures, or movement of control levers can cause a Tarter attachment to drop or rotate unexpectedly and cause severe injury or death. Follow the power unit and Tarter attachment manual for working underneath and blocking procedures.

Always wear relatively tight and belted clothing to avoid getting caught in moving parts. Wear sturdy, rough-soled work shoes and protective equipment for eyes, hair, hands, ears, and head. When appropriate wear a respirator or filter mask.

Keep all persons away from you while performing adjustments, service or maintenance.

Frequently check for loose hardware, missing parts, broken parts, structural cracks, and excessive wear.

SAFETY

Make repairs before putting the implement back into service. Careless or improper handling may result in serious injury.

After briefly using your attachment check forks to make sure they are still secured and check attachment to make sure it is still properly attached to the loader.

Always remove any material that has become entangled in the attachment before continuing to use them.

Do not modify, alter, or permit anyone else to modify or alter the power unit, the Tarter attachment or any of their components in any way, except as outlined in this Manual.

STORAGE



WARNING: Never attempt to move Tarter attachment by hand.

Always use a power unit to position a Tarter attachment for storage.

Remove any debris or dirt that may have accumulated on the Tarter attachment.

Inspect the pallet fork for damaged or worn parts and replace when needed.

Store the Tarter attachment away from human activity and livestock. Damage and injury to human or livestock could result.

Block the Tarter attachment securely for storage.

Keep children and bystanders away from storage area.

OPERATING

OPERATING

Before each use, perform all necessary maintenance described in the maintenance section.

Read, understand, and follow the safety information pertaining to training, preparation, starting and stopping, operation, transportation, maintenance, and storage at the beginning of this manual.



DANGER: Capacity based on balanced load placed no more than halfway out from head unit. Do not exceed the capacity of your front-end loader attachment or tractor.

Maximum lift capacity should never exceed rated lift capacity of the pallet fork.



WARNING: For PFQA - Do not exceed 3000 lbs. lifting capacity at 19" load center.
For PFQA12 – Do not exceed 1200 lbs. lifting capacity at 19" load center.

Keep the load slightly tilted back to secure its weight against the frame. The heaviest side should be closest to the frame and not near the end of the fork tines.

Rotating the front of forks too high can cause the load to shift and fall onto the operator or others. Rotating the front of the forks level or lower can cause the load to fall forward.

Make sure pallet fork frame is properly attached to loader. Completely engage the load before lifting. Fork length should be at least two-thirds of the load length. It is recommended to always keep the lifting surface of the forks level. When backward tilt is required to stabilize the load, use extreme caution.

Keep the load centered on attachment and loader. Unbalanced loads increase the possibility of tipping or rolling over. Secure the load properly. Unsecured loads can fall unexpectedly. Make sure the weight of the load is centered between the forks.

Lift the load slightly to make sure the load is stable. If the load appears to be unstable, lower and reposition.

NEVER lift a load with one fork. This will cause the load to be unbalanced.

NEVER lift objects without pallets.

Do not lift round bales.

Check the pallet fork frequently to make sure it is properly attached. Also check and make sure the pins are seated and locked in place as well as the forks are secured to upper carrying bars.

Do not use forks for digging, pushing, prying, pulling or lifting. Only lift palletized loads.

Do not chain or strap palletized loads to loader arms, loader hitch, pallet form frame or forks.

Always lower forks to the ground before dismounting from the power unit.

ATTACHING TO TRACTOR

1. Make sure the locking pins, on the loader, are fully raised.



2. Drive forward and adjust the loader height and position. Tilt the loader slightly forward and place the top of the loader hitch under the top of the angle bars on the pallet fork.
3. Slowly lift the loader until the loader and the pallet fork have come together.



4. Slowly tilt the loader to align the bottom slots, on the pallet fork, with the locking pins on the loader.

5. Push the locking pins on the loader down, until the locking pins fully extend through the bottom slots of the pallet fork.

MAKE SURE LOCKING HANDLES ARE IN THE LOCKED POSITION.



ADJUSTING



CAUTION: Please wear gloves when installing and adjusting forks. Possible pinch points.



CAUTION: Be sure to check the locking pin and make sure it is secure and fork is attached.

1. Make sure tractor and pallet forks are on level ground, tractor is in park or parking brake is set and tractor is turned off before dismounting.
2. Make sure the locking pin on the fork is in the unlocked position.



3. Slide the fork along the upper carrying bar by pushing or pulling until desired location.
4. Position the locking pin over desired notch and secure.



5. Repeat these steps for second fork.



CAUTION: Be sure to check the locking pin and make sure it is secure and fork is attached.

PICKING UP A LOAD

1. Center the forks under the pallet to evenly distribute the weight and make sure the load is balanced and secure.
2. Drive into the load as far as possible and then lift the load off the ground and tilt back slightly.
3. Position the load at a safe traveling height before moving. (Two to four inches above the ground is recommended for traveling)

TRAVELING WITH A LOAD

With the load tilted back and two to four inches above the ground, always drive at a safe speed and slow down when going around corners. Avoid sudden braking.



NOTE: Leave enough clearance when turning to keep pallet forks and the load from contacting obstacles.



NOTE: When possible, travel straight up and down grades, ramps, and inclines. Avoid making sharp turns and slow down. When traveling over a ramp or incline, keep the load on the uphill side of the power unit. Slow down while traveling over rough or hilly terrain.

Only raise or lower the load when completely stopped, never while traveling.

PLACING A LOAD

1. Stop in front of desired location.
2. Carefully and slowly raise or lower the load to the desired height.
3. Slowly move forward until the load is square and positioned straight above desired location.
4. Make sure load is level for placement and lower the load to desired location.
5. Once the load is settled back up slowly.



NOTE: Make sure forks are clear of the pallet before turning or adjusting the height of the forks.

DETACHING

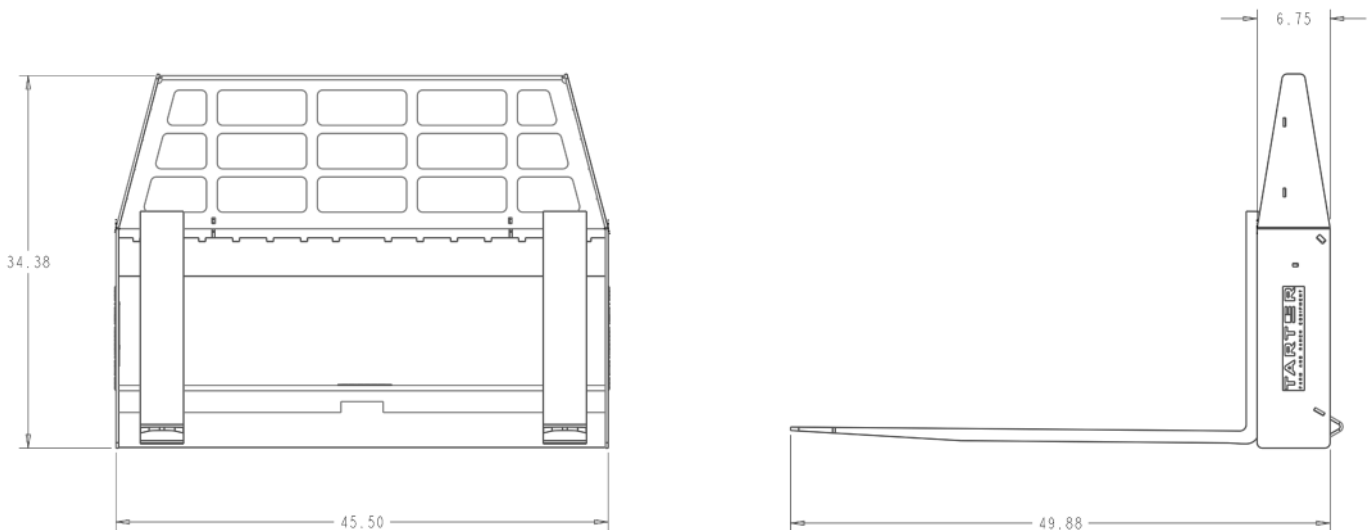
1. Make sure tractor and pallet forks are on level ground, tractor is in park or parking brake is set and tractor is turned off before dismounting.
2. Pull the locking handles up to remove the pins from the bottom slots of the pallet fork.
3. Return to the tractor and start the tractor. Tilt the top of the loader slightly forward and slowly lower the pallet fork until the top angle bars and the loader have separated.
4. Slowly back the tractor away from the pallet forks. Make sure the loader does not interfere with the pallet fork.

1. Check forks to make sure they are not damaged, broken or worn excessively. Repair or replace as needed.
2. Replace any work, damaged, or illegible safety labels by obtaining new labels from your local Tarter dealer.

PRODUCT SPECIFICATIONS

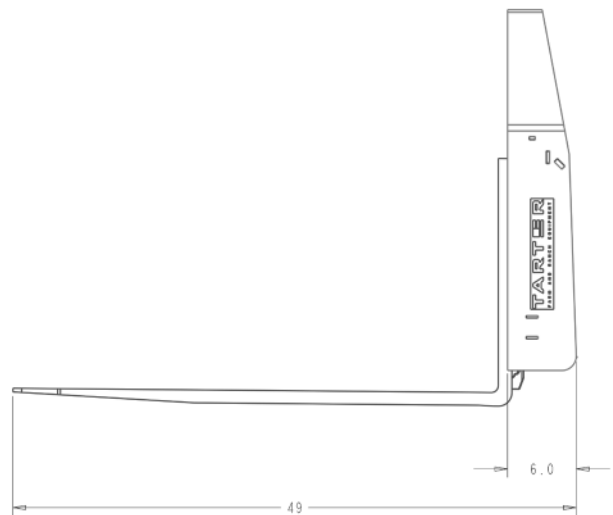
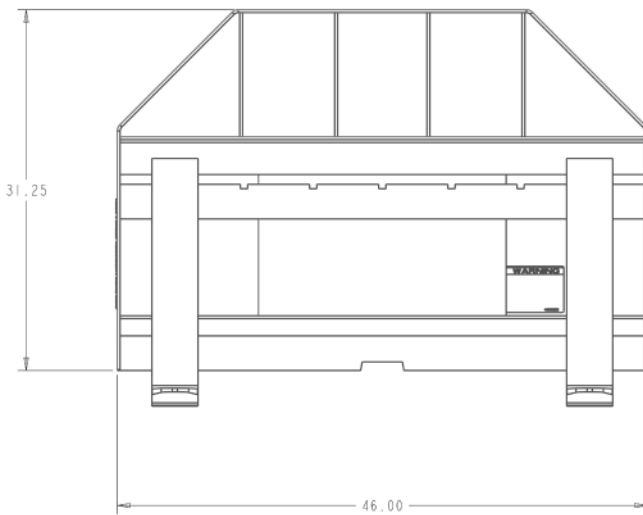
PQFA

	PQFA
Hitch	Universal Quick-Attach
Lifting Capacity	*3000 lbs.
Weight	368 lbs.
Overall Width	45.5"
Overall Length	48"
Height	34.5"
Fork Length	42"
Fork Cross Section	1.25"x4" ITA heat treated



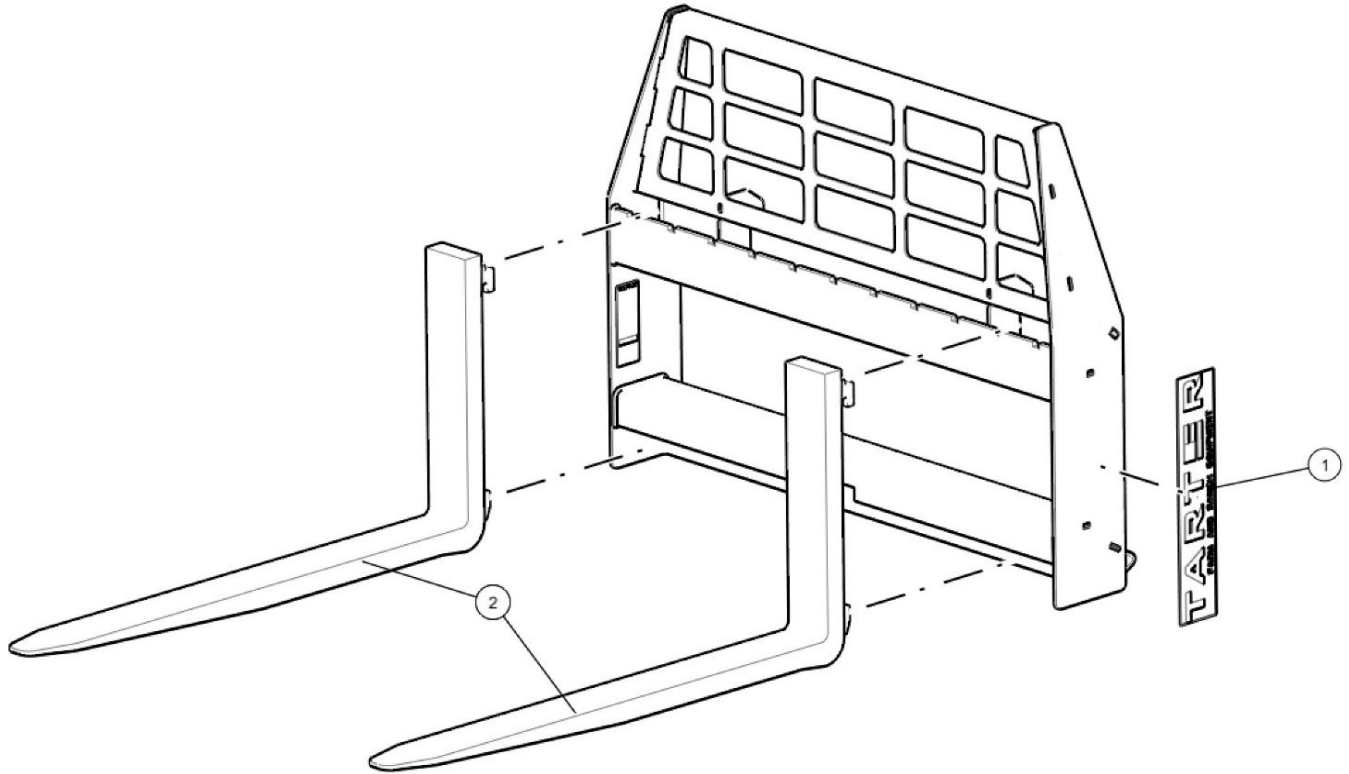
PQFA12

	PQFA12
Hitch	Universal Quick-Attach
Lifting Capacity	*1200 lbs.
Weight	238 lbs.
Overall Width	46"
Overall Length	49"
Height	34"
Fork Length	42"
Fork Cross Section	1"x3" ITA heat treated



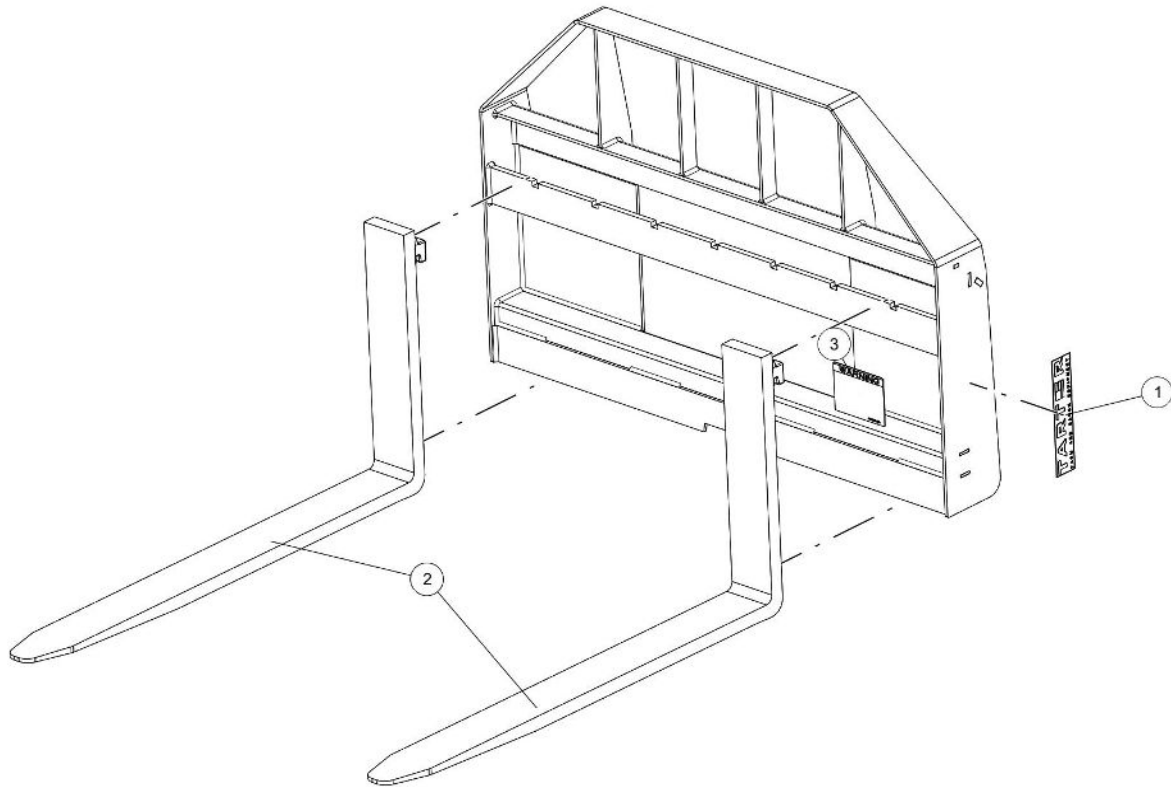
PARTS

PQFA



Item #	Part#	Description
1	4000077	Tarter Standard Decal (each)
2	9000157	Replacement Pallet Forks (pair)
3	4000070	3000 lb pallet fork warning decal

PQFA12



Item #	Part#	Description
1	4000077	Tarter Standard Decal (each)
2	9000953	Replacement Pallet Forks (pair)
3	4000363	1200 lb pallet fork warning decal

TORQUE SETTINGS

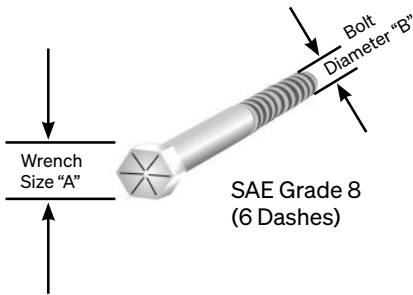
AMERICAN Bolt Head Markings



SAE Grade 2
(No Dashes)



SAE Grade 5
(3 Dashes)

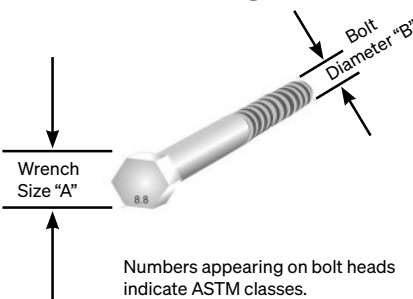


SAE Grade 8
(6 Dashes)

Proper torque for American fasteners used on manufactured implement.
Recommended Torque in Foot Pounds (Newton Meters).*

WRENCH SIZE(IN.)"A"	BOLT DIAMETER (IN.)"B" AND THREAD SIZE	SAE GRADE 2	SAE GRADE 5	SAE GRADE 8
7/16	1/4 -20 UNC	6 (7)	8 (11)	12 (16)
7/16	1/4 - 24 UNF	6 (8)	10 (13)	14 (18)
1/2	5/16 -18 UNC	11 (15)	17 (23)	25 (33)
1/2	5/16 - 24 UNF	13 (17)	19 (26)	27 (37)
9/16	3/8 - 16 UNC	20 (27)	31 (42)	44 (60)
9/16	3/8 -24 UNF	23 (31)	35 (47)	49 (66)
5/8	7/16 -14 UNC	32 (43)	49 (66)	70 (95)
5/8	7/16 - 20 UNF	36 (49)	55 (75)	78 (106)
3/4	1/2 - 13 UNC	49 (66)	76 (103)	106 (144)
3/4	1/2 - 20 UNF	55 (75)	85 (115)	120 (163)
7/8	9/16 -12 UNC	70 (95)	109 (148)	153 (207)
7/8	9/16 - 18 UNF	79 (107)	122 (165)	172 (233)
15/16	5/8 - 11 UNC	97 (131)	150 (203)	212 (287)
15/16	5/8 - 18 UNF	110 (149)	170 (230)	240 (325)
1-1/8	3/4 - 10 UNC	144(195)	266 (360)	376 (509)
1-1/8	3/4 - 16 UNF	192 (260)	297 (406)	420 (569)
1-5/16	7/8 - 9 UNC	166 (225)	430 (583)	606 (821)
1-5/16	7/8 - 14 UNF	184 (249)	474 (642)	668 (905)
1-1/2	1-8 UNC	250 (339)	644 (873)	909 (1232)
1-1/2	1 - 12 UNF	274 (371)	705 (955)	995 (1348)
1-1/2	1-14 UNF	280 (379)	721 (977)	1019 (1381)
1-11/16	1-1/8 - 7 UNC	354 (480)	795 (1077)	1288 (1745)
1-11/16	1-1/8 -12 UNF	397 (538)	890 (1206)	1444 (1957)
1-7/8	1-1/4 - 7 UNC	500 (678)	1120 (1518)	1817 (2462)
1-7/8	1-1/4 - 12 UNF	553 (749)	1241 (1682)	2013 (2728)
2-1/16	1-3/8 - 6 UNC	655 (887)	1470 (1992)	2382 (3228)
2-1/16	1-3/8 -12 UNF	746 (1011)	1672 (2266)	2712 (3675)
2-1/4	1-1/2 - 6 UNC	870 (1179)	1950 (2642)	3161 (4283)
2-1/4	1-1/2 - 12 UNF	979 (1327)	2194 (2973)	3557 (4820)

METRIC



Numbers appearing on bolt heads indicate ASTM classes.

Proper torque for metric fasteners used on manufacturer implement.
Recommended Torque in Foot Pounds (Newton Meters).*

WRENCH SIZE (mm) "A"	BOLT DIA. (mm) "B"	ASTM 4.6	ASTM 8.8	ASTM 9.8	ASTM 10.9
8	5	1.8 (2.4)		5.1 (6.9)	6.5 (8.8)
10	6	3 (4)		8.7 (12)	11.1 (15)
13	8	7.3 (10)		21.1 (29)	27 (37)
16	10	14.5 (20)		42 (57)	53 (72)
18	12	25 (34)	74 (100)	73 (99)	93 (126)
21	14	40 (54)	118 (160)	116 (157)	148 (201)
24	16	62 (84)	167 (226)	181 (245)	230 (312)
30	20	122 (165)	325 (440)		449 (608)
33	22		443 (600)		611 (828)
36	24	211 (286)	563 (763)		778 (1054)
31	27		821 (1112)		138(1542)
46	30	418 (566)	1119 (1516)		1547(2096)

*Use 75% of the specified torque value for plated fasteners. Use 85% of the specified torque values for lubricated fasteners.

PROBLEM	POSSIBLE CAUSE	POSSIBLE SOLUTION
Cannot lift pallet	Load is too heavy	Reduce the load
	Insufficient power to lift the load	Lift the load with a tractor that is rated for more lift capacity.
Forks are shifting	Locking pin is not secured in the pin notch	Position the locking pin over the desired pin notch and lock in place.
Forks are beinding or breaking	Load's center of gravity is more than 19" away from the vertical face of the forks.	Reposition the load that the center of gravity is closer to the vertical faces.
	Load is too heavy.	Reduce the load.
Load is shifting	Load is not properly secured	Secure the load
	Load is not centered	Center the load
	Load is carried too high	Recommended carrying load is 2"-4" above the floor
	Forks are too close to each other	Adjust forks an equal distance away from the center and as far apart as the pallets will allow
	Traveling with forks tilted down or level	Rotate the forks back so they are slightly higher in the front than the back
	Traveling too fast	Reduce speed to a safe non-bouncing speed
	Traveling sideways on an incline	Travel stright up and down on inclines
	Fork(s) is/are bent	Replace fork(s)

MANUFACTURER'S LIMITED WARRANTY

Tarter Farm and Ranch Equipment warrants to the original purchaser that the purchased product is free from defects in material and workmanship for a period of one (1) year commencing on the date of original purchase, as evidenced by the original receipt, and will, at its option, repair, replace or issue credit for any product or part found to be defective.

This limited warranty shall only apply if this product has been operated and maintained in accordance with the Operator's Manual furnished with the product, and has not been subject to misuse, abuse, commercial or industrial use, neglect, improper maintenance, alteration, or accident or which has been used for a purpose for which the product was not designed. Damage resulting from the installation or use of any part, accessory, or attachment not approved by Tarter Farm and Ranch Equipment, for use with the product covered by the Operator's Manual, shall void the warranty as to any resulting damage.

This limited warranty is extended solely to the original purchaser of the product. Should the original purchaser sell or otherwise transfer this product to a third party, this warranty does not transfer to the third party in any manner.

HOW TO MAKE A CLAIM:

To obtain warranty service through a local authorized retailer, a customer must present the following within thirty (30) days of implement failure:

1. Proof of purchase within one (1) year of purchase date.
2. Photographs of or return of the actual product in question.
3. Photograph of UPC label.

After receipt of the above information, if the product is alleged to be defective, Tarter Farm and Ranch Equipment will process the claim and issue a Return Manufacturers Authorization number (RMA). Once an RMA number is issued, Tarter Farm and Ranch Equipment will pick up the product from the authorized retailer and return to its facility for inspection. Tarter Farm and Ranch Equipment will replace, repair, or issue credit for any product after examination which is determined to be defective due to defects in material and workmanship.

For additional Warranty questions, please call 1-800-RED-GATE or email warranty@tarterusa.com for assistance.

WARRANTY DISCLAIMER:

This limited warranty is in lieu of, and Tarter Farm and Ranch Equipment disclaims and excludes any express and implied warranties with respect to the product including, without limitation, merchantability, and fitness for a particular purpose. No other express warranty, whether written or oral, given by any person or entity, including a retailer, with respect to any product, shall bind Tarter Farm and Ranch Equipment.

Tarter Farm and Ranch Equipment's exclusive liability for breach of the limited warranty, as set forth above, on the product shall be to repair or replace the implement within the warranty period in accordance with the terms of this limited warranty. The choice of remedy shall belong solely to Tarter Farm and Ranch Equipment. In no event shall Tarter Farm and Ranch Equipment be liable for any loss or damages of any other kind, whether direct, incidental, consequential including lost profits, exemplary, special, or otherwise, including without limitation, expenses incurred for substitute or replacement implement or for rental expenses to temporarily replace a warranted product.

Under no circumstance shall recovery, of any kind, be greater than the amount of the purchase price of the product purchased. Customer assumes all risk and liability for loss, damage, or injury to customer or customer's property and/or the property of others arising out of the misuse or inability to use the product.

LEGAL RIGHTS

This limited warranty gives you specific legal rights, and you may also have other rights which may vary from state to state. Some states do not allow any limitation on how long an implied warranty lasts or the exclusion or limitation of incidental or consequential damages, so the above limitations may not apply to you.

KEEP FOR YOUR RECORDS

Record the model number, serial number, and the date of purchase with the original sales receipt. This information will be helpful to the retailer if parts or service are required.

Model Number _____

Serial Number _____

Date of Purchase _____

Retailer _____

TARTER[®]
FARM AND RANCH EQUIPMENT

P.O. BOX 10
10739 S. HWY 127
DUNNVILLE, KY 42528
1-800-REDGATE | TARTERUSA.COM